

**60cm pyrolytic multi-function 17 dark stainless steel oven with steam assisted cooking functions, AirFry, telescopic runners and full touch electronic controls.**



## Product Details

### FEATURES

Steam Assist	AirFry	PyroClean	Telescopic Runners One set of telescopic runners
Full touch electronic control panel	Cooler to Touch Doors	80L gross capacity oven	Fast Heat Up
Programmable oven timer	Easy guide side racks	Dark Stainless Steel Finish	

### BENEFITS

**Steam, our secret for delicious effortless cooking**  
Bring out natural flavours and goodness with our versatile steam functions. Steam Assist Cooking is ideal for meat, poultry and fish, ensuring an even cook from centre to surface with a crisp golden finish.

**AirFry for that perfect crunch**  
When a food craving hits, make healthier and delicious food right in your oven with minimal oil. Deliver all the flavour and none of the guilt. AirFry allows you to make healthier, tasty meals for the entire family right in your oven.

**Ovens that clean up after themselves**  
Even cleaning up is easier with Westinghouse. Choose a PyroClean oven and with the press of a button you can keep your oven shiny and clean. The oven turns on to an extremely high temperature, turning grease and grime into ash. All you need to do is simply wipe the residue away. No nasty chemicals, no greasy mess just a sparkling clean oven with minimal effort.

**Designed for ease and safety**  
Telescopic runners are another piece of thoughtful design that makes it easy to draw racks out and safely check on your dishes during cooking.

**Cooler to touch oven doors**  
Beautifully designed with Australian families in mind, the multi-layer glazing of our oven doors are cooler to the touch when the oven is hot.

**Built in Australia**  
Westinghouse, has been the heart of the home for generations and the kitchen appliance brand we have always known and trusted to build reliable products. This oven is built in a local factory in Adelaide.

## Specifications

### PRODUCT PROFILE

---

Domestic warranty details (yrs)	2
Type of Oven	single oven
Oven fuel	electric
Materials/Colour	Dark stainless steel
Controls of Oven	Full touch electronic control panel
Cooling fan	Yes

### FLUSH FIT CUT OUT

---

Flush fit cut out height (mm)	600
Flush fit cut out width (mm)	600
Flush fit cut out depth (mm)	581

### MAIN OVEN

### DIMENSIONS

---

#### PRODUCT DIMENSION

---

Total height (mm)	597
Total width (mm)	596
Total depth (mm)	573

### PROUD FIT CUT OUT

---

Proud fit cut out height (mm)	590
Proud fit cut out width (mm)	565
Proud fit cut out depth (mm)	560

### ELECTRICAL CONNECTION

## MAIN OVEN

---

Gross capacity litres	80
-----------------------	----

---

Useable capacity litres	72
-------------------------	----

---

Oven function	multifunction
---------------	---------------

---

Number of functions	17
---------------------	----

---

Oven Functions	traditional bake,roast,pizza,grill,fan grill,defrost,fan bake,maxi grill,base heat,Quick cook,AirFry,Steam Assisted Cooking,Pyroclean,fan assist bake,EasyBake +Steam,Steam Reheat
----------------	---

---

Oven liner	pyrolux high temperature enamel
------------	---------------------------------

---

Timer functions	minute minder,Cook time,End time,Delayed start,Time of day,24 hour clock
-----------------	--

---

Light wattage	25
---------------	----

---

## OTHER FEATURES

---

Cleaning	pyrolytic
----------	-----------

---

Pyrolytic functions	3
---------------------	---

---

## ELECTRICAL CONNECTION

---

Connected load KW	3.1
-------------------	-----

---

Maximum current rating (amps)	12.9
-------------------------------	------

---

Type of connection	hardwired
--------------------	-----------

---

## SHIPPING

---

Shipping Volume (m3)	0.283
----------------------	-------

---

Shipping Weight (Kg)	44.5
----------------------	------

---

Pack Dimensions Height (mm)	665
-----------------------------	-----

---

## OTHER FEATURES

Type of Pyrolytic functions	pyrolytic light soil,pyrolytic medium soil,pyrolytic heavy soil
Door	removable door,removable inner glass panes,drop down
Timer	Fully programmable touch control timer
Lights	1
Light wattage	25
Light position	rear
Telescopic runners	one
Shelf support	Easy glide side racks
Number of shelves	2
Safety features	cool door
Closed door grilling	Yes
Fold down grill element	Yes
Included accessories	grill/oven pan,wire grill insert,2 x chromed wire shelf,baking tray,side racks,telescopic runners (1 set) ,AirFry tray
Layers of glass in door	4

## SHIPPING

Pack Dimension Width (mm)	635
Pack Dimension Depth (mm)	670

## OTHER FEATURES

---

Number of shelf positions 5

---

## STUFFING QUANTITIES

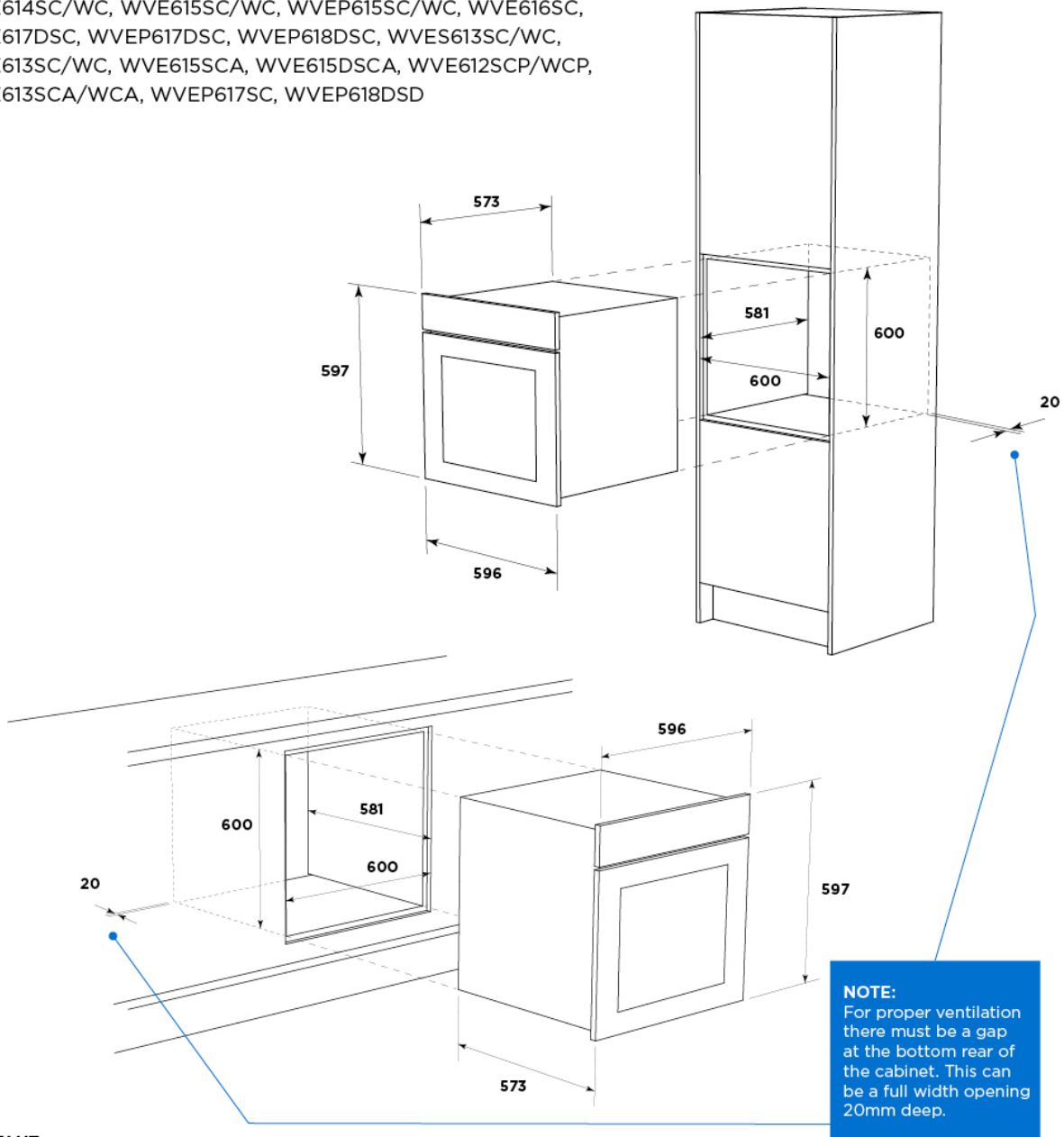
---

40ft 153

---

## Dimensions

WVE614SC/WC, WVE615SC/WC, WVEP615SC/WC, WVE616SC,  
WVE617DSC, WVEP617DSC, WVEP618DSC, WVES613SC/WC,  
WVE613SC/WC, WVE615SCA, WVE615DSCA, WVE612SCP/WCP,  
WVE613SCA/WCA, WVEP617SC, WVEP618DSD



**IMPORTANT**

These dimensions are a guide only. All measurements are in millimetres (mm). For complete installation instructions, refer to the manual provided with product.

## Terms and Conditions

### IMPORTANT

This is a guide of product dimensions only. For complete installation instructions, refer to the manual provided with product.

### PRODUCT INFORMATION

The descriptors and illustrations in this publication apply to the specific products and models described as at the date of issue. Under our policy of continuous product development, product specifications may change without notice. Prospective purchasers should therefore check with their retailer to ensure this publication correctly describes the products that are being offered for sale. All information supplied is to be used for general reference purposes only and is on the understanding that Electrolux Home Products Pty Ltd (Australia) and Electrolux (NZ) Ltd (New Zealand) will not be liable for any loss, liability or damage of whatever kind arising as a result of reliance on such information. Colours of products illustrated are as close as printing limitations allow. Electrolux will at all times comply with its obligations pursuant to law including Trade Practices (Australian Consumer Law) Act and Regulations.

### WARRANTY

This warranty only applies to Appliances purchased and used in Australia or New Zealand and used in normal domestic applications and is in addition to (and does not exclude, restrict, or modify in any way) any non-excludable statutory warranties in Australia or New Zealand. All warranties are subject to the conditions set out in the warranty card accompanying the product when purchased.

#### ELECTROLUX HOME PRODUCTS AUSTRALIA

telephone: 1300 363 640

fax: 1800 350 067

email: [customercare@electrolux.com.au](mailto:customercare@electrolux.com.au)

web: [www.electrolux.com.au](http://www.electrolux.com.au)

#### ELECTROLUX HOME PRODUCTS NEW ZEALAND

telephone: 09 573 2230

fax: 09 573 2221

email: [customercare@electrolux.co.nz](mailto:customercare@electrolux.co.nz)

web: [www.electrolux.co.nz](http://www.electrolux.co.nz)